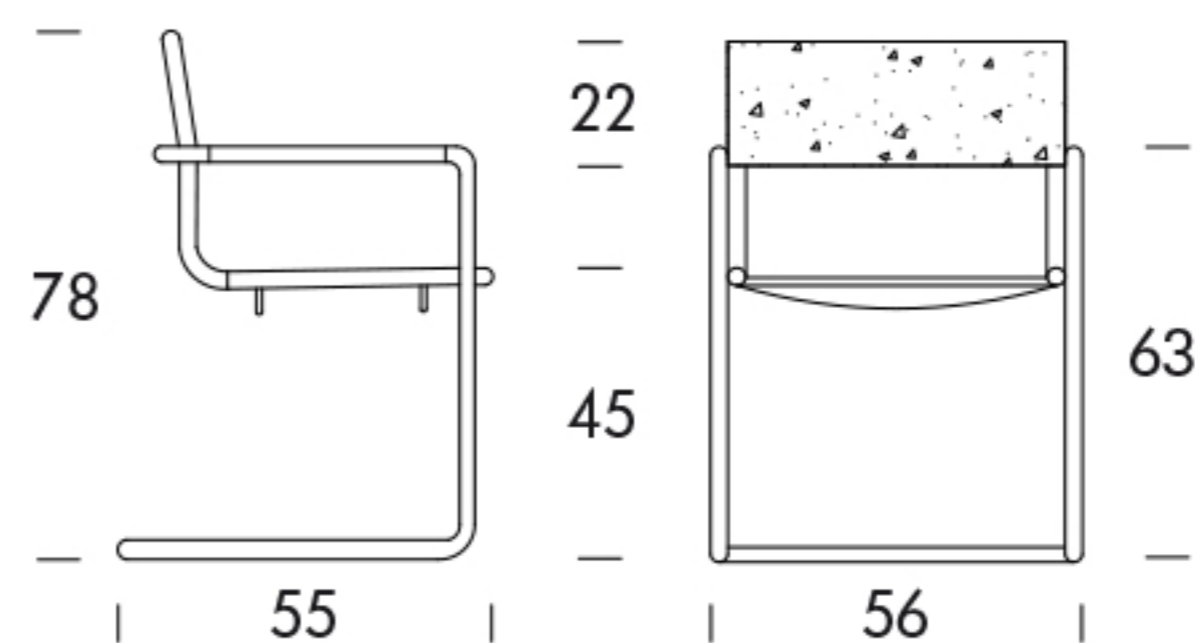




Hard leather covering. Structure in chrome-plated steel.



FINISHES

LEATHER 2,5mm

