

Scott

COSY & ECONOMICAL





COSY & ECONOMICAL

SCOTT's wraparound backrest embraces the user for added comfort and breathes an air of elegance into any workspace. With a choice of 4 base styles (4-leg polypropylene, natural solid wood, eco-friendly wood fibres, or a 5-star base) and a palette of 7 shell colours to choose from, including 3 made entirely from recycled materials, there's a SCOTT chair to suit every environment and interior style.

ROBIN desk
ELLIOTT office seat
OL 02 lamp



Washable polypropylene shell

- › Available in 7 shades, including 3 made from 100% recycled materials.
- › Optional cushion pad

Fully upholstered version

- › Available in 50 fabric options

4 base options:

- › Conical black polypropylene legs
- › Conical natural varnished beech legs
- › Conical wood-fibre legs
- › 5-star nylon or chrome base



Scott

TECHNICAL CHARACTERISTICS



Easy-clean polypropylene shell

Choice of 7 colours, including 3 made entirely from recycled materials

Optional cushion pad



Tapered legs made from natural varnished beech wood

Tapered legs made from black polypropylene

Fabric-covered seat shell

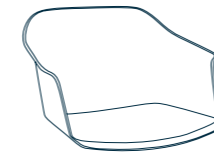
Choice of 50 shades



Tapered legs made from wood fibres

5-point star base made from nylon or chrome base

Seat shells



Polypropylene shell

Non-recycled

- › Mass-coloured (same shade throughout)
- › Available in 4 shades: Snow | Taupe | Powder pink | Turquoise

Recycled

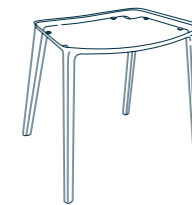
- › 3 shades made entirely from recycled materials: Black | Brick | Light grey

⚠ Shells made from recycled materials may present subtle variations in finish

Fabric-covered shell

- › Internal polypropylene shell
- › Covered in chosen fabric (see Shade Card)
- › Cushion pad included

Base

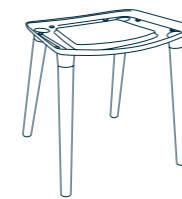


4-leg base - Black polypropylene

- › Tapered legs made from black polypropylene
- › Base screwed onto the shell
- › Leg finish: Black (RAL9005)
- › Legs fitted with non-slip plastic stabiliser feet

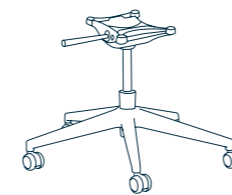
4-leg base - Wood fibres

- › Tapered wood fibre composite legs
- › Base screwed onto the shell
- › Legs fitted with non-slip plastic stabiliser feet



4-leg base - Solid wood

- › Tapered legs made from natural varnished beech wood
- › Base screwed onto the shell
- › Legs fitted with non-slip plastic stabiliser feet



5-point star base with castors

- › 5-point star base in black polyamide or chrome
- › Base diameter: 690 mm
- › Central stem gas lift mechanism (Black finish), 110 mm travel
- › Height adjustment lever - 85 mm adjustment range
- › Black soft-floor castors, ø 50 mm

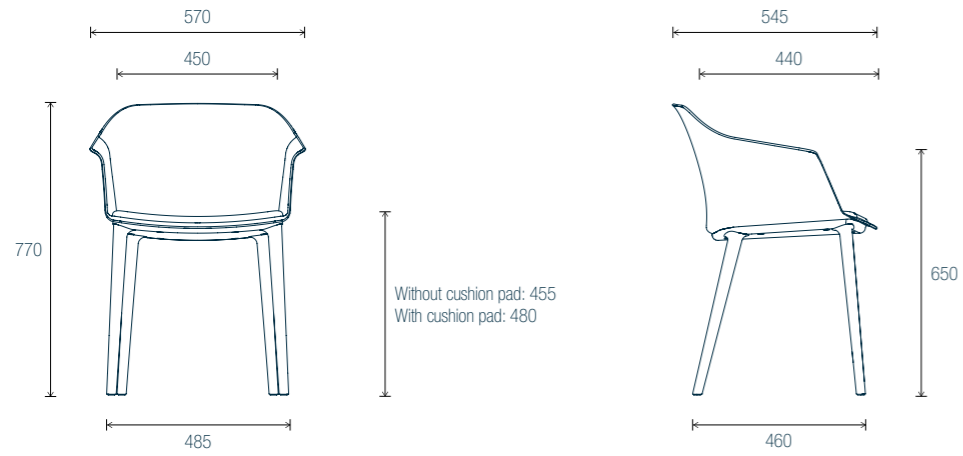
Cushion pad for polypropylene seats



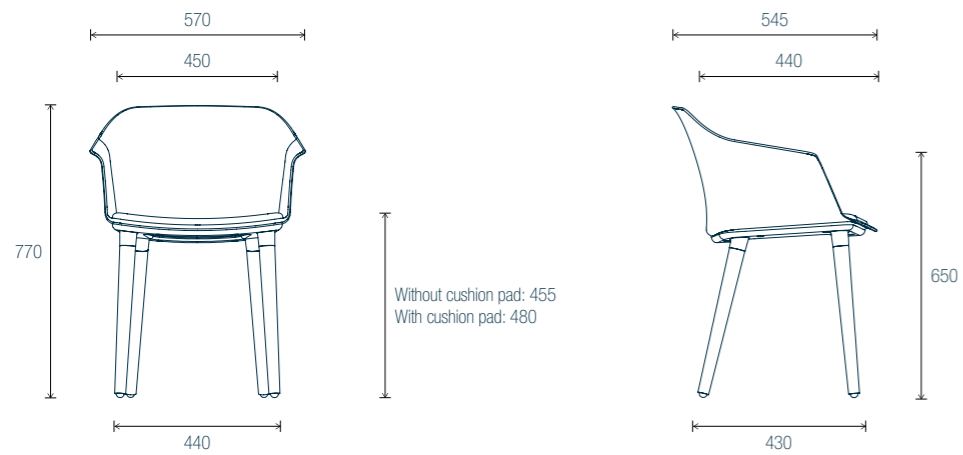
- › Plywood internal structure with B5672 foam padding (thk 20 mm, density 56 kg/m³)
- › Covered in chosen fabric (see Shade Card)

Polypropylene seat shells

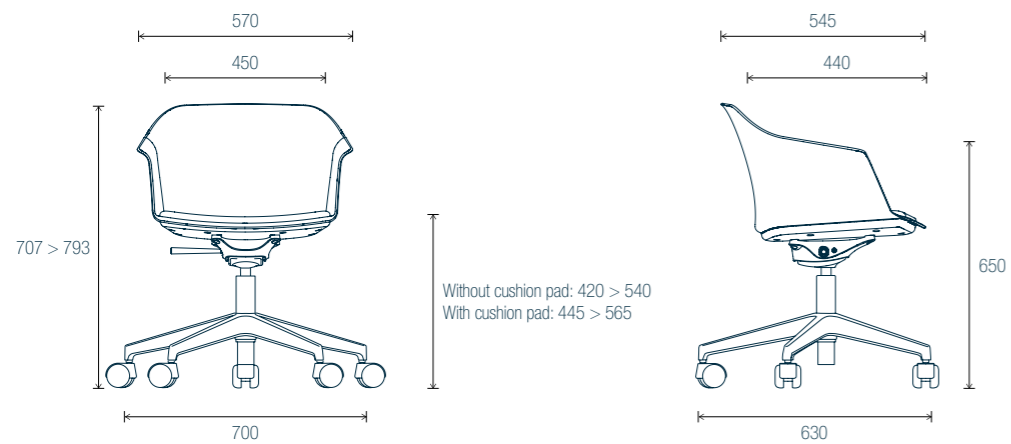
4-leg base - Black polypropylene or wood fibres



4-leg base - Solid wood

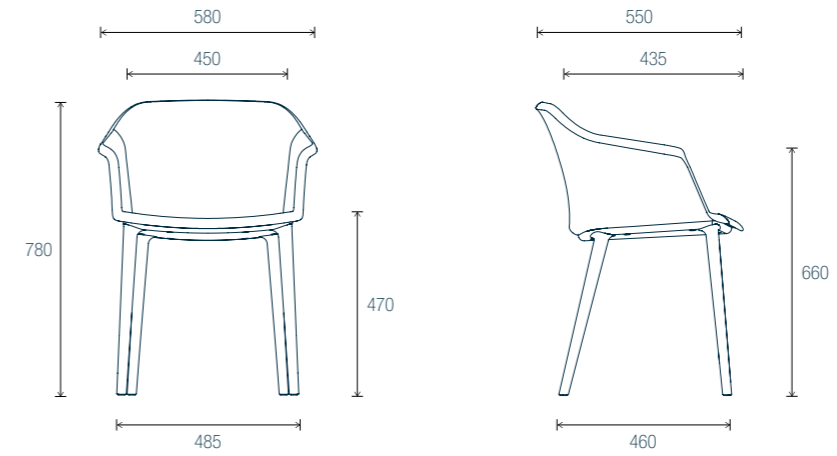


Conference base - 5-point star base with castors

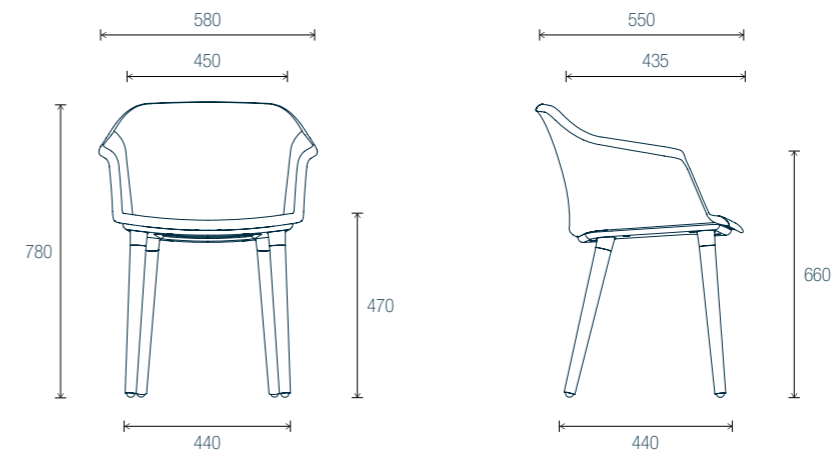


Fabric-covered seat shells

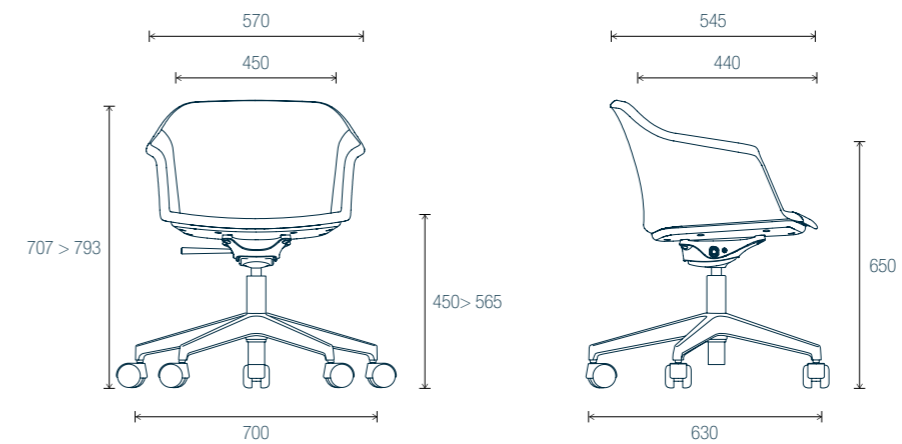
4-leg base - Black polypropylene or wood fibres



4-leg base - Solid wood



Conference base - 5-point star base with castors





Shade card

Polypropylene - Shell

Standard (not recycled)



- PB**
Snow
- QW**
Taupe
- PM**
Powder pink
- PN**
Turquoise

Recycled*



- OQ**
Black
- OZ**
Light grey
- O9**
Brick

Seat shell made using recycled materials and may present subtle variations in finish as a result

Conference base - 5-point star base with castors

Nylon



SV
Black

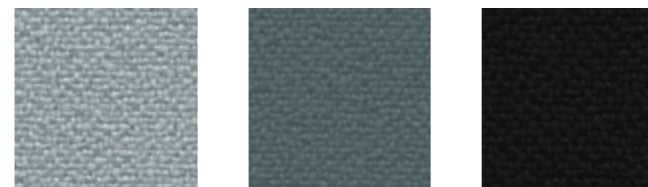
Metal



SQ
Chrome

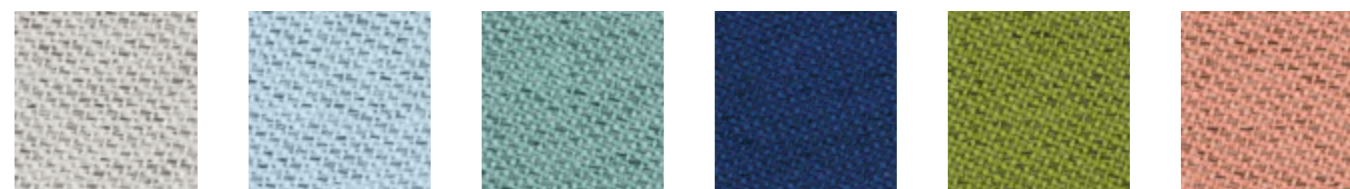
Fabrics

Bondaï - Cat. A

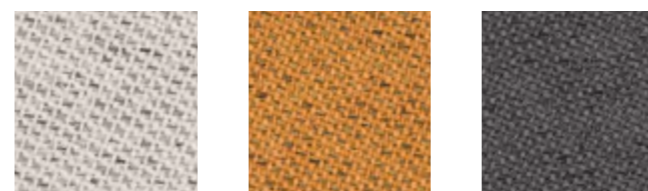


- KD**
Cloud grey
- KA**
Storm grey
- KE**
Black

Chili - Cat. B



- BC**
Mottled light grey
- BF**
Mottled frosty blue
- BG**
Mottled celadon
- BH**
Mottled midnight blue
- BK**
Mottled olive green
- BL**
Mottled salmon



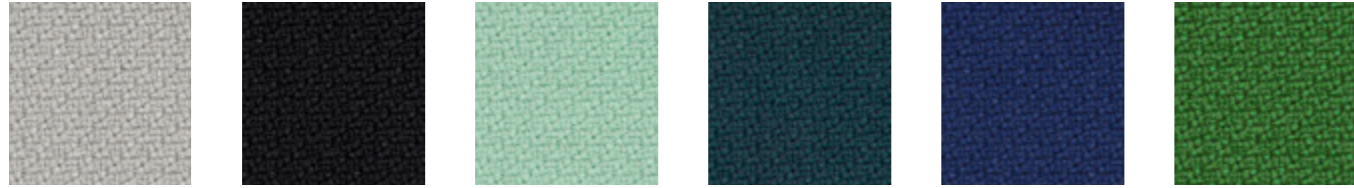
- BM**
Mottled beige
- BO**
Mottled turmeric
- BN**
Mottled cocoa



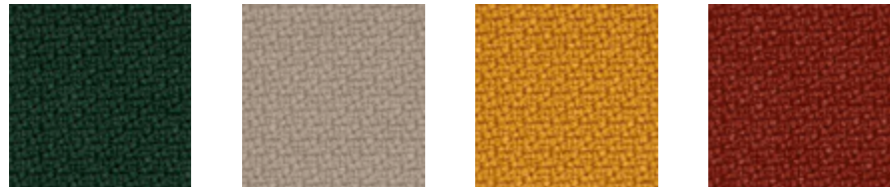
Shade card

Fabrics

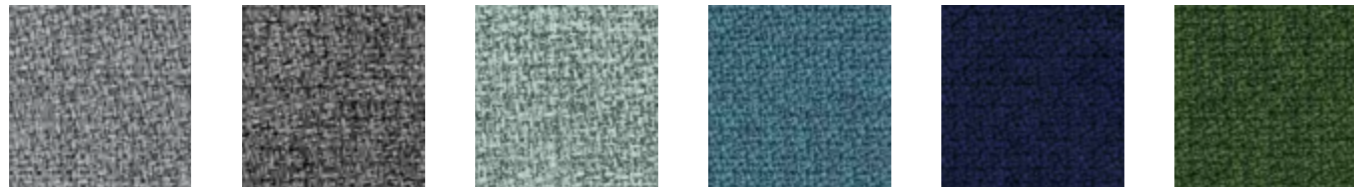
Step / Step mélange - Cat. B



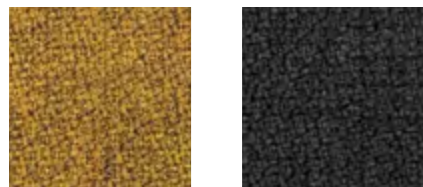
E5 Light grey
A6 Black
E4 Aqua
A4 Petroleum blue
A3 Navy blue
A1 Bamboo



A9 English green
A2 Beige
A5 Mustard yellow
E6 Brick red



B5 Mottled light grey
B1 Mottled graphite grey
E7 Mottled aqua
B4 Mottled denim blue
B6 Mottled navy blue
B2 Mottled bamboo

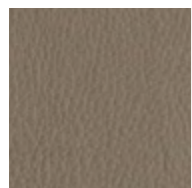


E9 Mottled mustard yellow
B7 Mottled dark brown

Secret - Cat. C



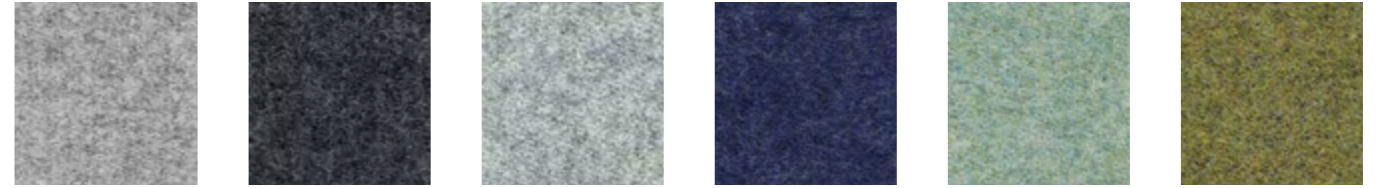
CA Pearl grey
CB Black
CC Charcoal blue
CE Olive green
CF Dark sage green
CG Clay



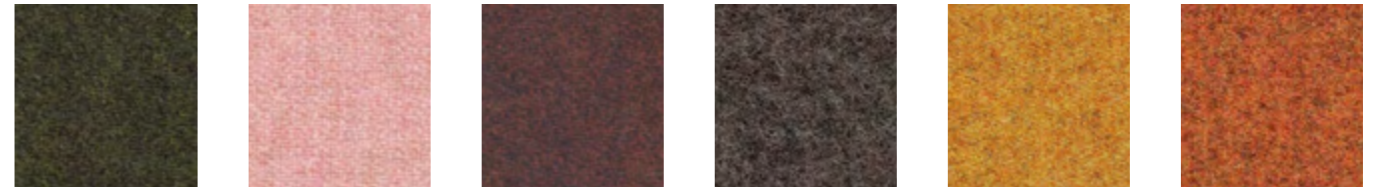
CH Taupe

Fabrics

Fenice - Cat. D

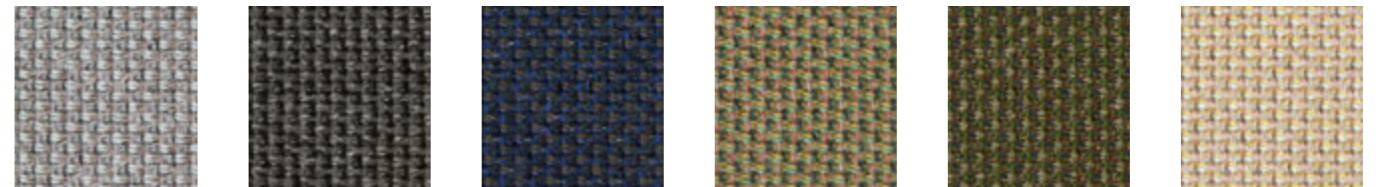


DA Mottled light grey
DB Mottled graphite grey
CJ Mottled light blue
DC Mottled dark blue
DF Mottled celadon
DE Mottled olive green

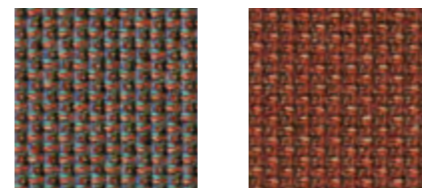


DG Mottled dark green
DH Powder pink
DZ Dark sienna
DD Mottled cocoa
DI Mottled turmeric
DJ Mottled rust red

Cyber - Cat. D



T8 Light grey
T9 Dark grey
T5 Blue grey
TZ Almond green
TU Fern green
TL Golden beige



T6 Mottled salmon
T7 Rust red

Fabrics

Bondaï - Cat. A

Composition	Weight	Abrasion resistance	Light fastness	Fastness to rubbing	Flammability	Environment
100% polyester	350 g/ml (lm) 250 g/m ² ±5%	150 000 EN ISO 12947-2	6 EN ISO 105-B02	4-5 EN ISO 105 x 12 Wet/Dry	EN 1021 - 1&2 BS 7176 BS 5852 Crib5	STANDARD 100 by OEKO-TEX®

Chili - Cat. B

Composition	Weight	Abrasion resistance	Light fastness	Fastness to rubbing	Flammability	Environment
100% flame-retardant post-consumer recycled polyester (FR inside fibres)	470 g/ml (lm) (15.16 oz / lin yd)	60 000 EN ISO 12947-2	5-8 EN ISO 105-B02	4-5 EN ISO 105 x 12 Wet/Dry	EN 1021 - 1&2 NFP 92-503/504/505 M1 NF D 60-013 AM18 BS 7176 BS 5852 Crib 5 DIN 4102 B1 EN 13501	STANDARD 100 by OEKO-TEX® 100% recycled fabric Low emission of VOC

Step / Step Mélange - Cat. B

Composition	Weight	Abrasion resistance	Light fastness	Fastness to rubbing	Flammability	Environment
100% trevira® CS	470 g/m ² (15.16 oz / lin yd)	100 000 EN ISO 12947-2	5-7 EN ISO 105-B02	4-5 EN ISO 105 x 12 Wet/Dry	EN 1021 - 1&2 NFP 92-503/504/505 M1 NF D 60-013 AM18 BS 7176 BS 5852 Crib 5 DIN 4102 B1 EN 13501	STANDARD 100 by OEKO-TEX® EU Ecolabel Non-metallic dyestuffs Low emission of VOC

Secret - Cat. C

Composition	Weight	Abrasion resistance	Light fastness	Fastness to rubbing	Flammability	Environment
76% PVC - 22% PES - 2% PU Antibacterial protection	540 g/ml (lm) ±10 g/m ²	60 000 EN ISO 5470-2	6-7 EN ISO 105-B02	5-5 EN ISO 105 x 12 Wet/Dry	EN 1021 - 1&2 BS 5852 1&2 UNI 9175 class 1IM TB 117:2013	Phthalate-free

Fenice - Cat. D

Composition	Weight	Abrasion resistance	Light fastness	Fastness to rubbing	Flammability	Environment
75% wool 25% PA	335 g/m ² ±7% 500 g/ml (lm) ±7%	100 000 ±20% EN ISO 5470-2	6 ±1% EN ISO 105-B02	4-5 EN ISO 105 x 12 Wet/Dry	EN 1021 - 1&2 BS 5852 Crib 5 CLASS 1 IM CALIFORNIA TB 117	Recyclable fabric

Cyber - Cat. D

Composition	Weight	Abrasion resistance	Light fastness	Fastness to rubbing	Flammability	Environment
100% post-consumer recycled polyester	570 g/ml (lm) (18.39 oz / lin yd)	120 000 EN ISO 12947-2	7-8 EN ISO 105-B02	4-5 EN ISO 105 x 12 Wet/Dry	EN 1021 - 1&2 BS 5852 Crib 5 CALIFORNIA TB 117	STANDARD 100 by OEKO-TEX® 100% recycled fabric Low emission of VOC



All the foam used in our seats are OEKO-TEX certified

To be OEKO-TEX certified, materials must not contain any substances that are harmful to human health or the environment. This includes formaldehyde, heavy metals, pesticides, chlorinated phenols, phthalates and polycyclic aromatic hydrocarbons.



Certified compliant with **EN 16139**



Guaranteed for 5 years



47% of this range is made from **recycled materials***
Scott is a **fully recyclable** range

*Applies only to chairs with recycled polypropylene seat shells

