



Nos

Operative System



Nos system



Desks



Benches with individual pedestals



Benches with side credenzas



3 way workstations



Benches



Benches with shared pedestals



Call center workstations

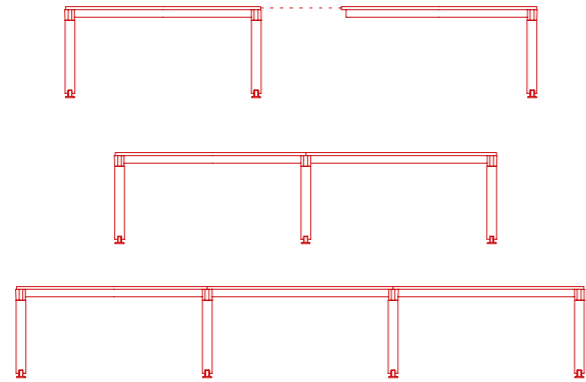


Configurable workstations



Workstations & Configurations

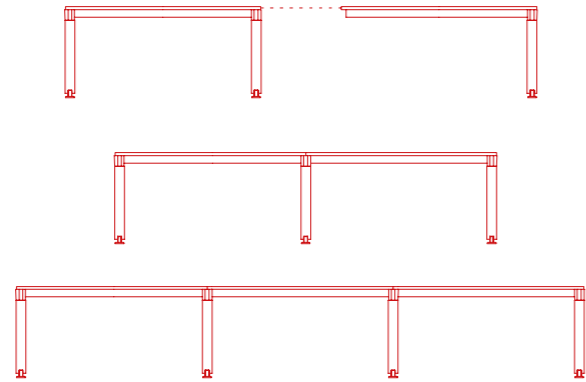
The essence of the Nos system is the inverted T-shaped leg, which blends rigidity and lightness in the creation of modular structures. The individual desk is the starting point from which the entire Nos system develops.



Desks

The individual desk with T-shaped legs is the foundation of the entire Nos system. Starting with one visually light table, many other solutions can be incorporated.

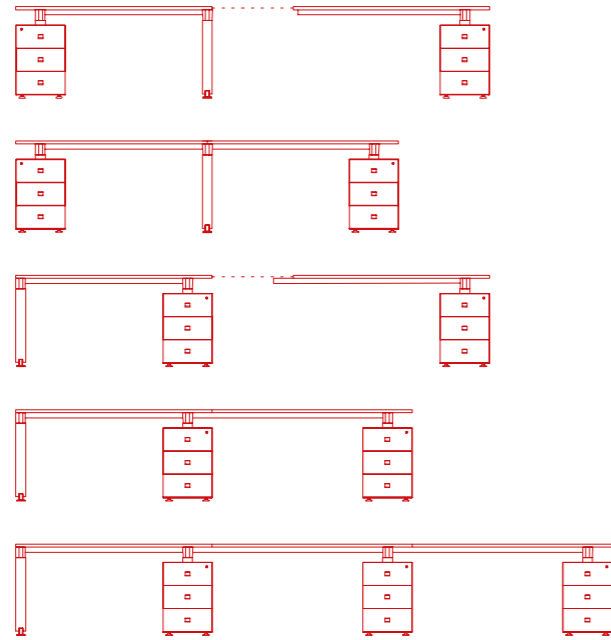




Benches

The workbenches that use a double-leg structure allow large workstations to be created in spaces with a small surface area. Without changing the dimensions of the T-shaped legs, the workstations vary in terms of the number of work surfaces and their dimensions.

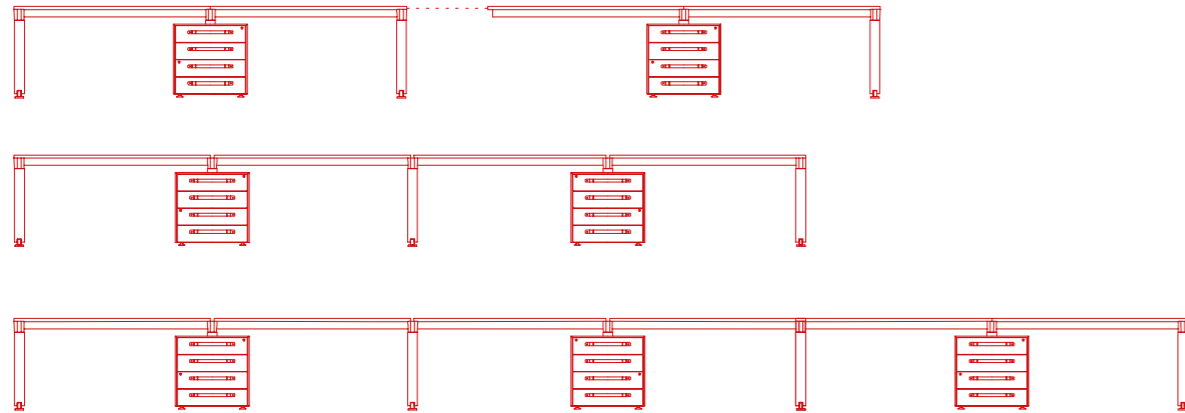




Benches with individual pedestals

Workstations with individual chests of drawers create safe and individual storage areas within the desk itself, without affecting the other units. The drawers support the desk, and efficient use can be made of the spaces between for storage units with various functions and uses.

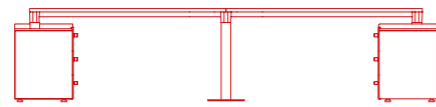




Benches with shared pedestals

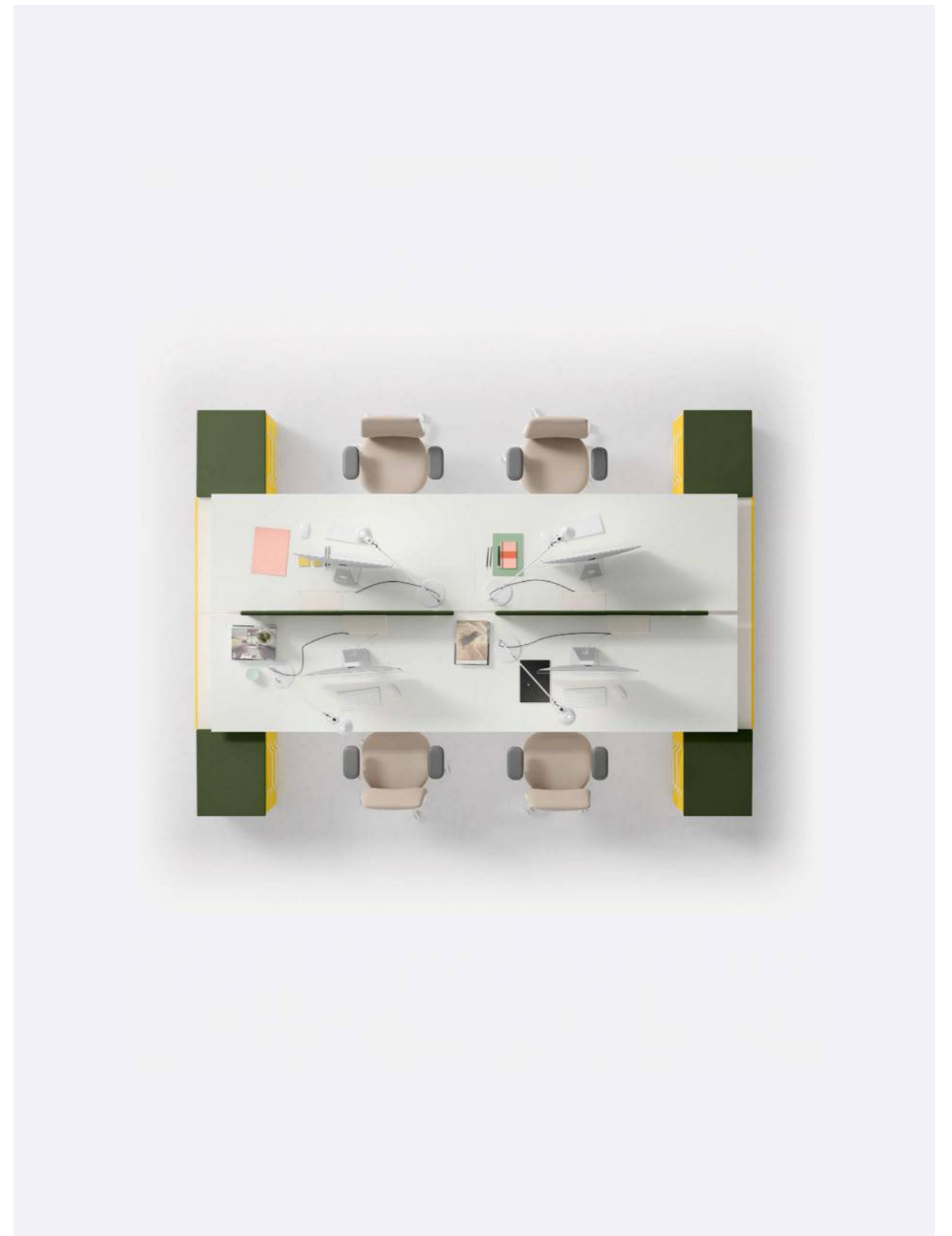
Shared storage units in the work islands economise on resources – in terms of both space and money – in the creation of large workstations and spaces, and the aesthetics of these workstations is improved.

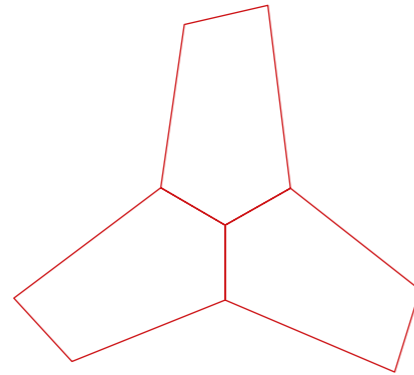




Benches with side credenzas

The cabinet is the most complete storage solution. It is incorporated into the table support structure and is designed to serve four workstations. The set is completed with a single middle leg with a circular base.

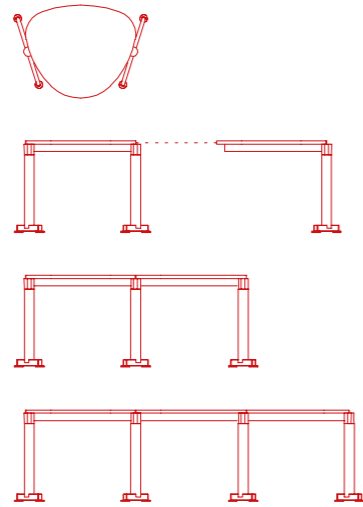




3 Way Workstations

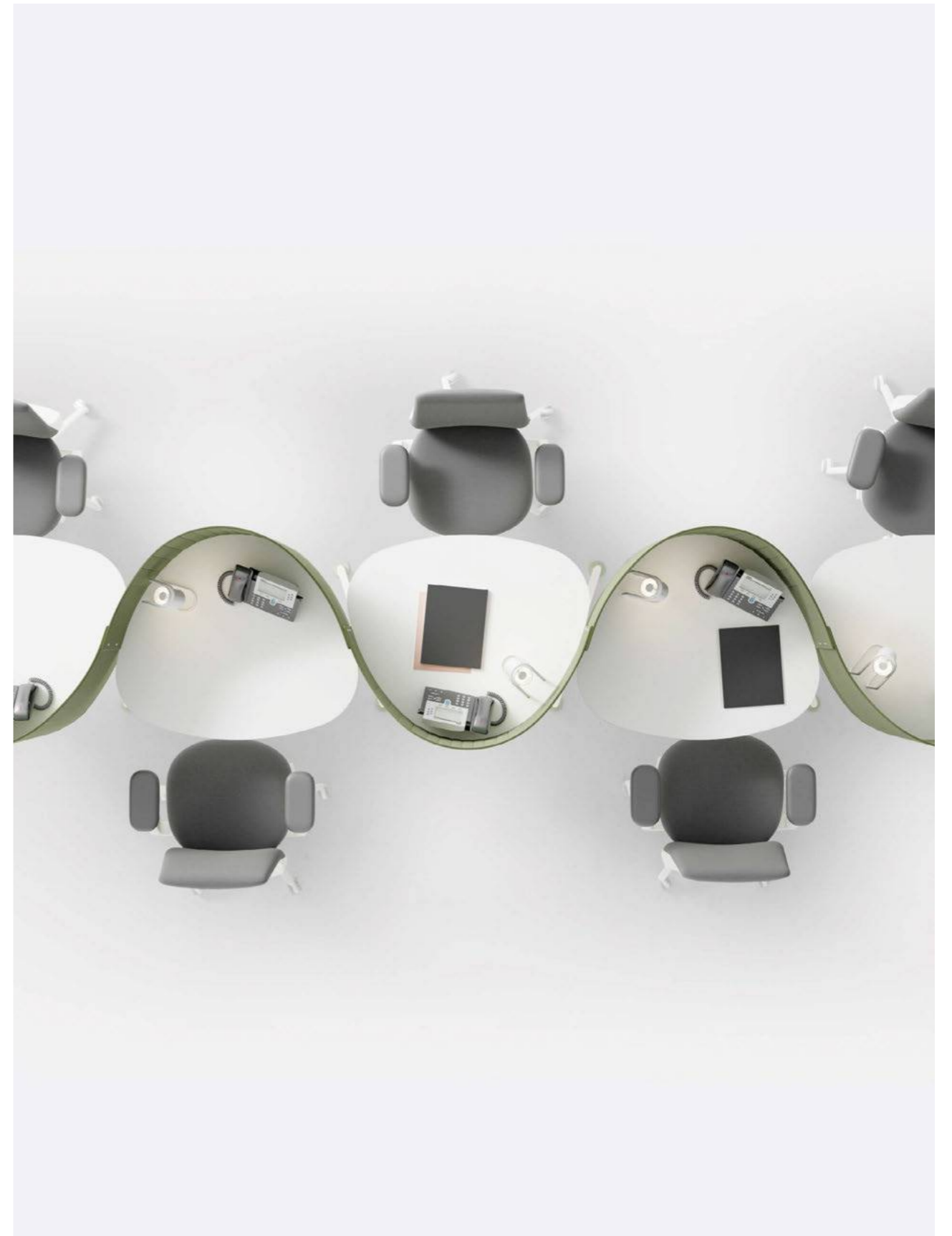
The '3 Way Workstation' creates workstations for three people who need a greater level of interaction. Close contact, part-shared desks, etc. The 'Book' shared drawer unit can also be integrated with the other modules.



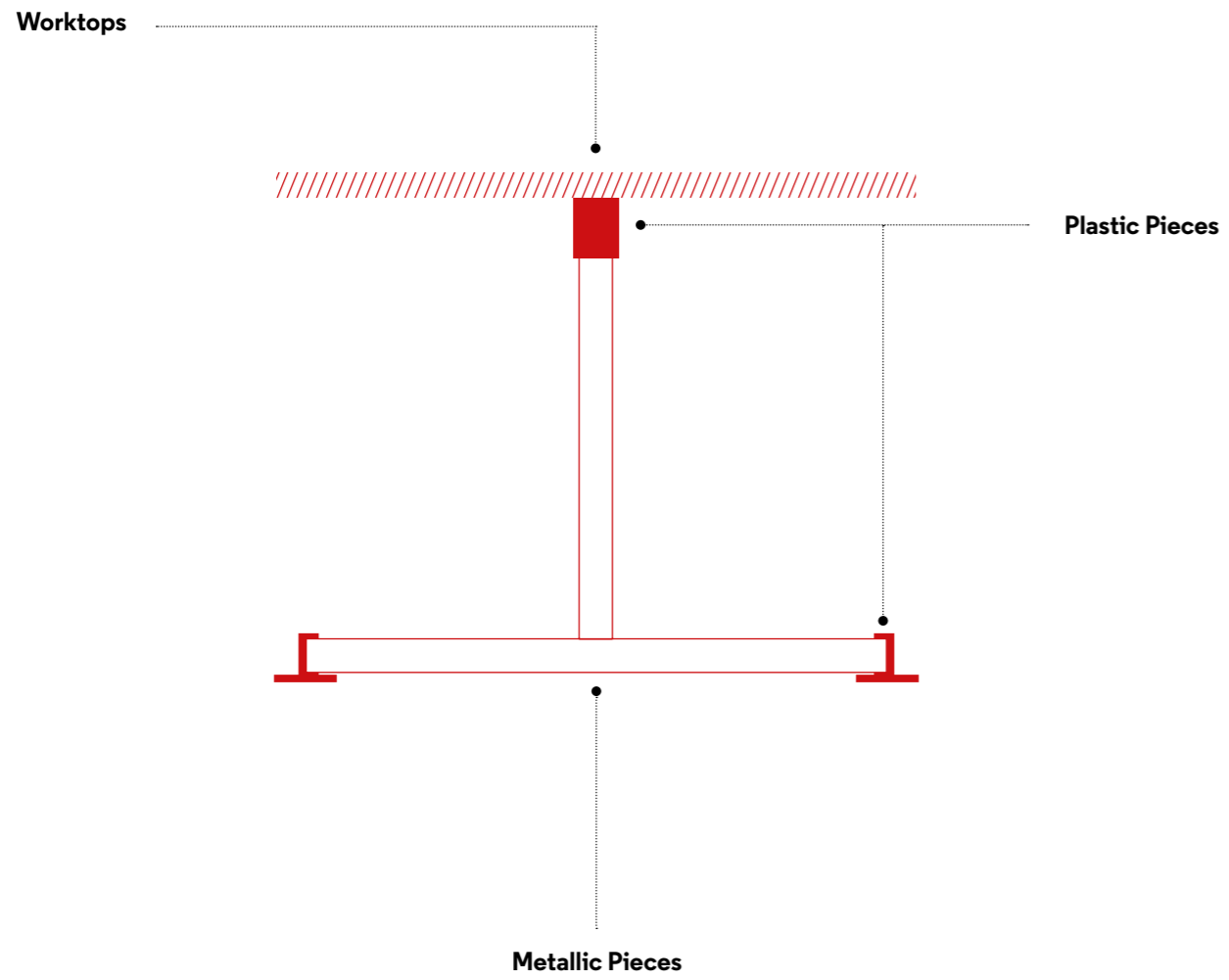


Call centers

Applying Nos structures to the needs of a call centre maximises work space without losing the line's defining characteristics: sophistication and agile design.



Colors & Finishes



Worktops



White melamine



Black Melamine



Lisa Oak Melamine

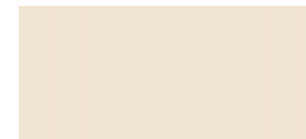


Beech Fangio Melamine

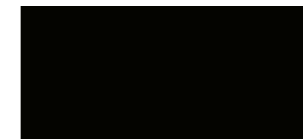


Anthracite Melamine.

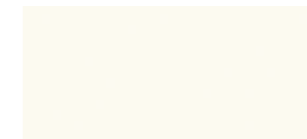
Plastic Pieces



White



Black



White. RAL 9010



Yellow. RAL 1012

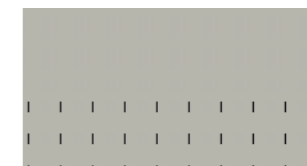
Metallic Pieces



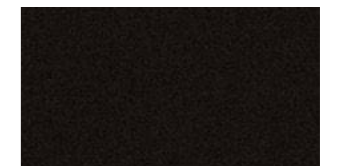
Red



Green



Grey. RAL 7044



Black. RAL 9005



Brown



Green. RAL 6011



Brown. RAL 7006



Anthracite. RAL 7015